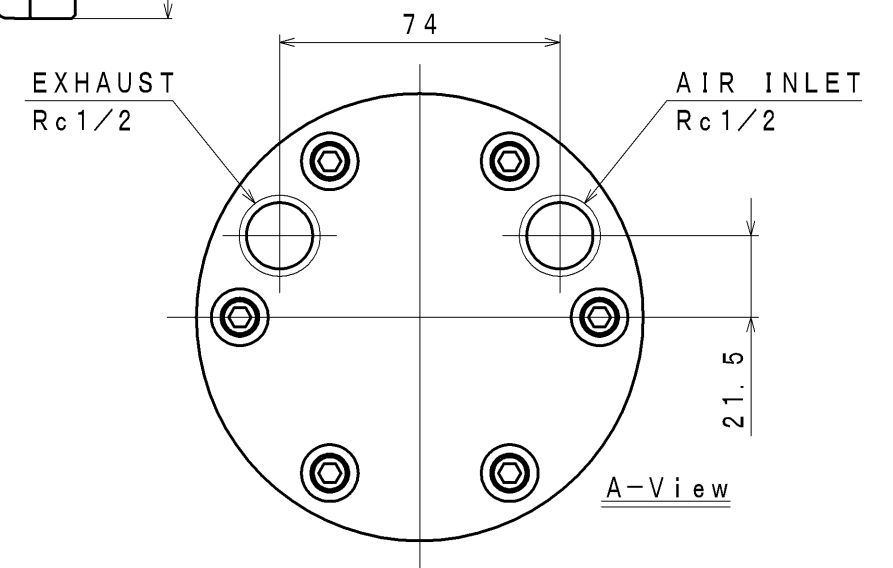
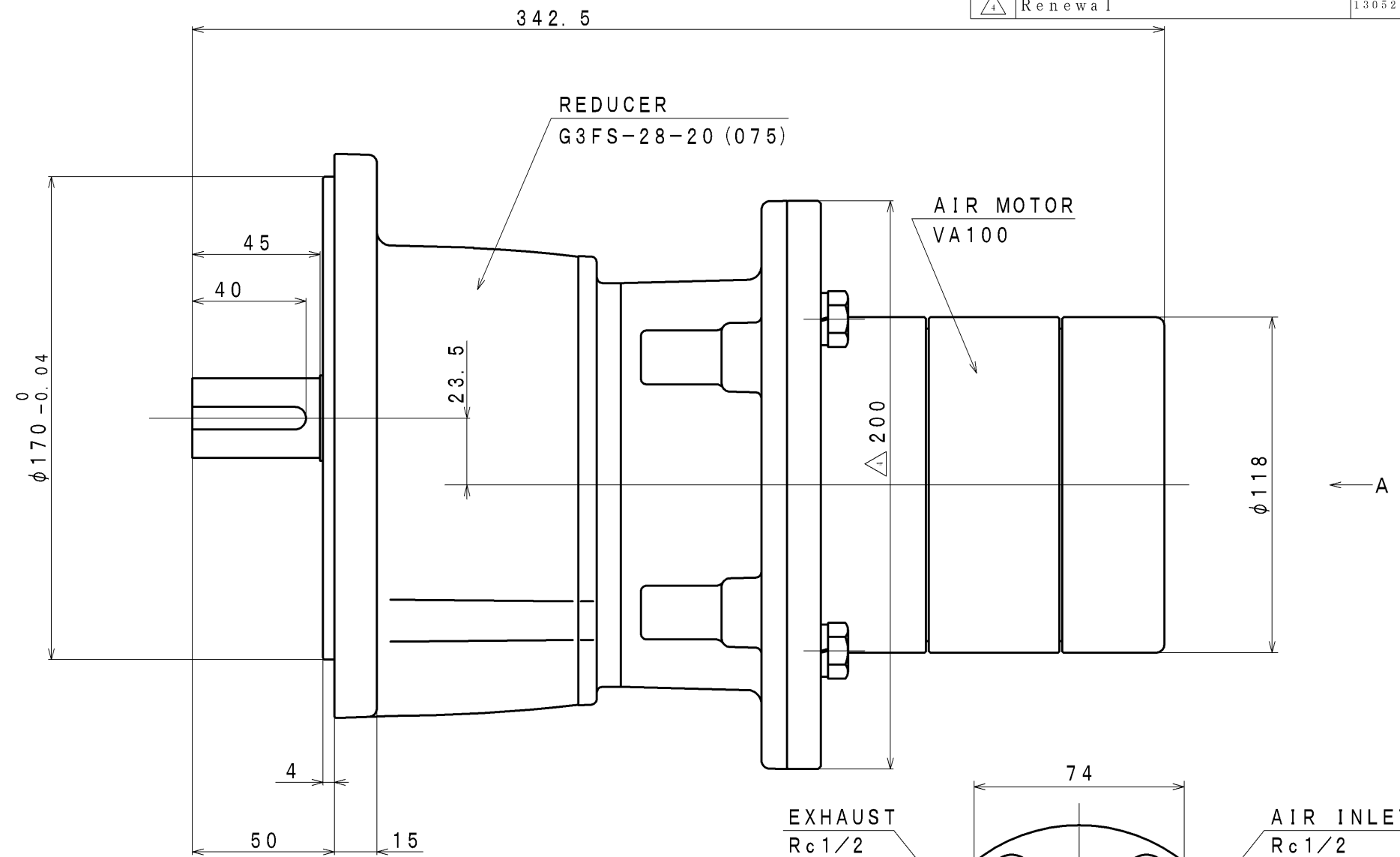
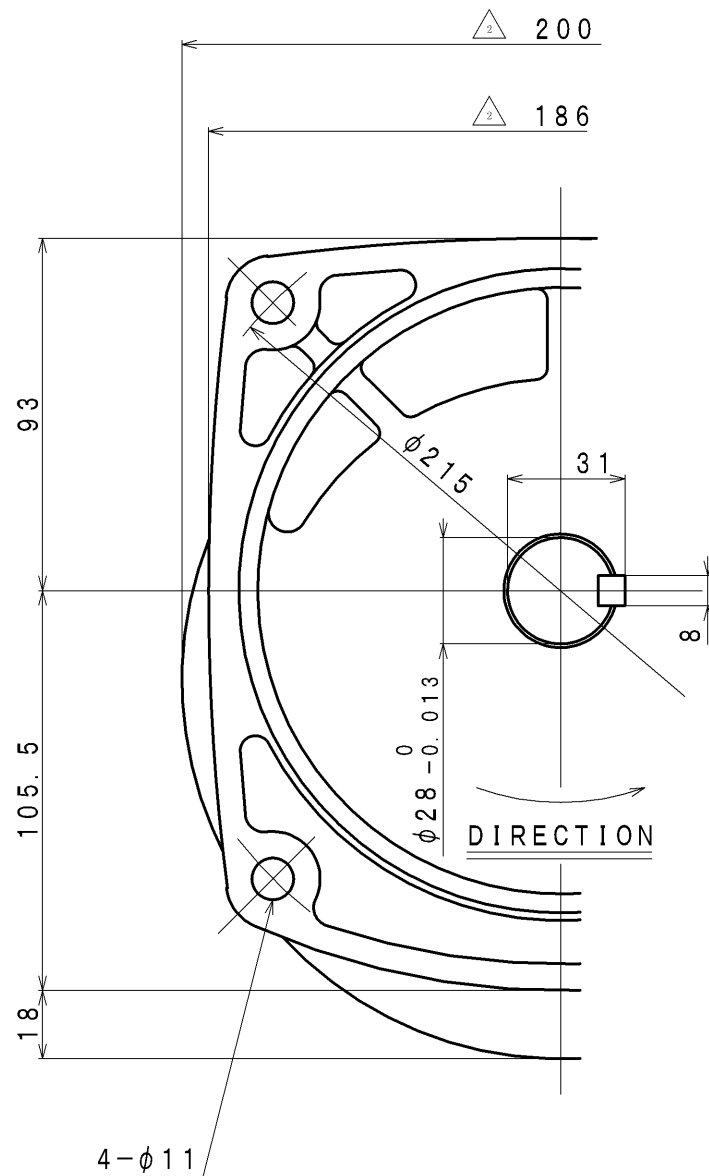


SIGN	REVISION	DATE	B Y
△1	Renewal	100302	W. S
△2	Correction	101222	R. T
△3	Renewal	111028	R. T
△4	Renewal	130523	W. S



SPECIFICATION

AIR PRESSURE (MPa)	AT MAXIMUM OUTPUT				※ ALLOWABLE SHAFT LOAD		LUBRICATING OIL AIR MOTOR (Line Oiler) △ JIS K2213-1 Turbine Oil ISO VG32 (Line Oiler Dripping Quantity: 3~4 drop/min)	MASS (kg)
	OUTPUT (kW)	SPEED (rpm)	TORQUE (N·m)	AIR CONSUMPTION (m ³ /min (nor))	RADIAL (N)	THRUST (N)		
0.6	0.78	98	76.0	1.52	1765	834	about 16.4	
0.5	0.64	90	67.6	1.30				
0.4	0.51	81	60.0	1.08				

※: At Mid of Shaft

APPROVED	CHECKED	REVIEWED	DRAWN	PARTICULARS	OUTLINE DRAWING	DATE	APR. 27. 2009
M. M		W. S		MODEL	VA100R-F020 AIR MOTOR	NOTE	Z96-093
SAN-EI SEIKI SEISAKUSHO CO., LTD.					DWG. NO.	E308-235	SCALE 1/2