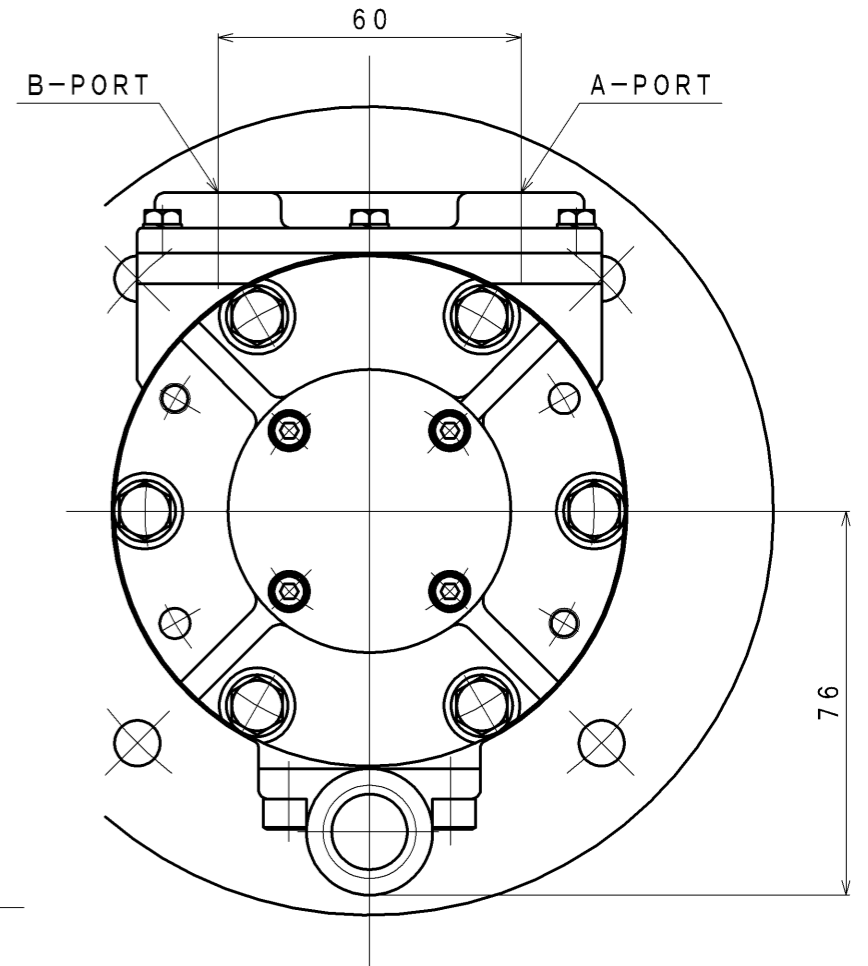
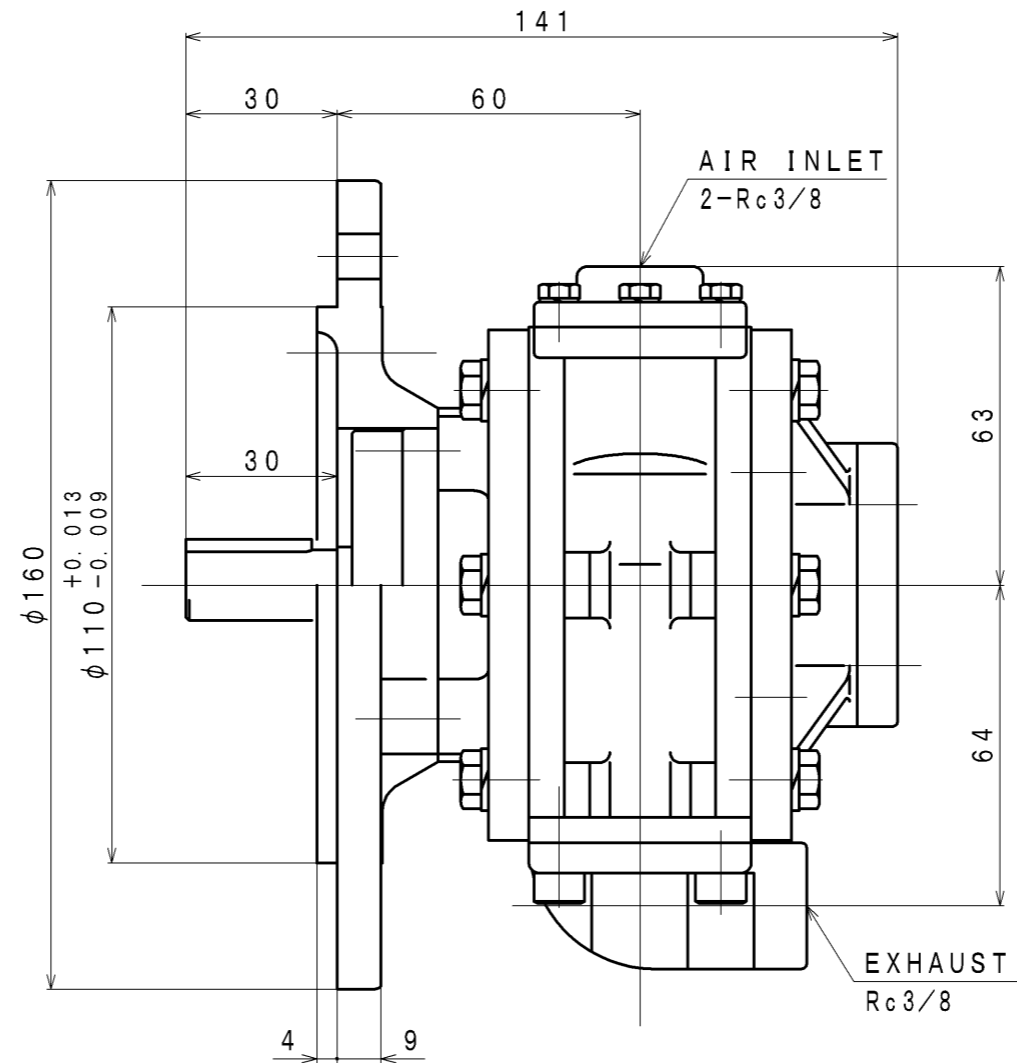
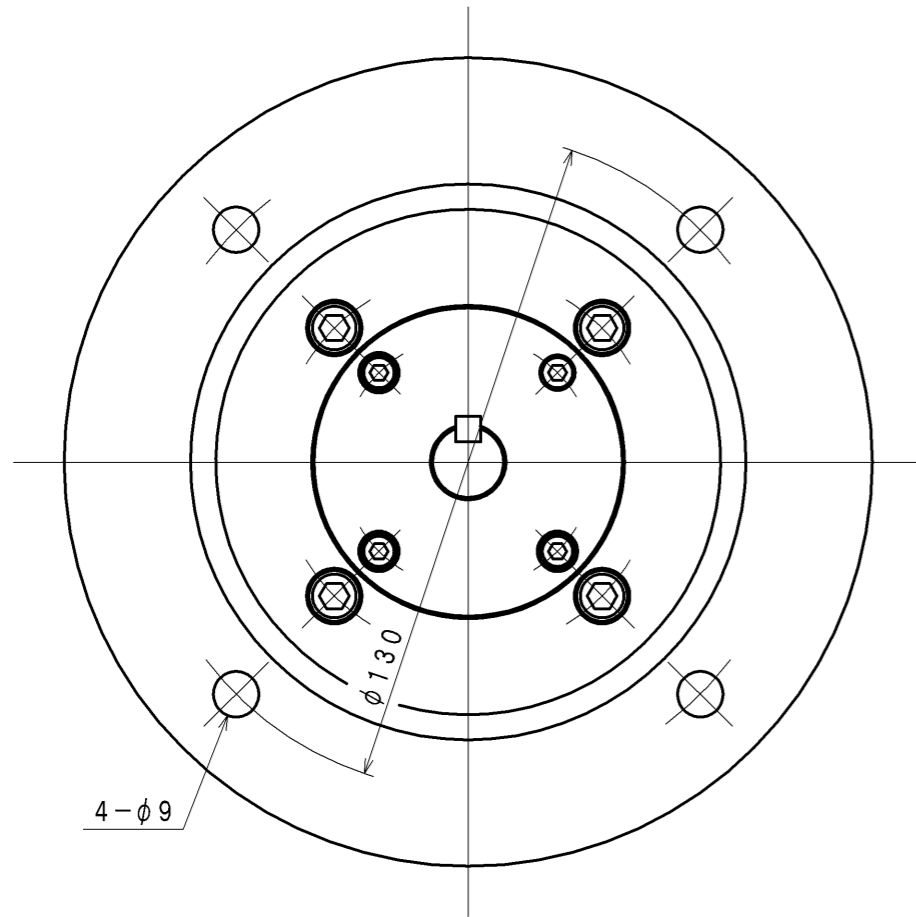
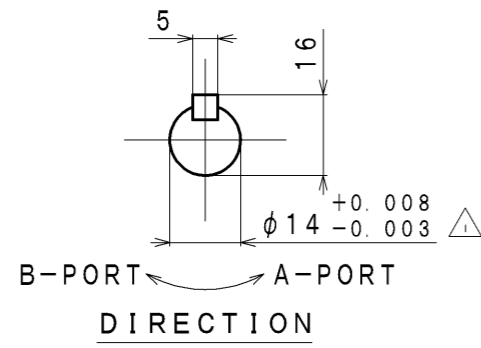


SIGN	REVISION	DATE	BY
△1	Renewal	111031	R. T
△2	Renewal	160404	W. S



SPECIFICATION

AIR PRESSURE (MPa)	AT MAXIMUM OUTPUT				* ALLOWABLE SHAFT LOAD		LUBRICATING OIL AIR MOTOR (Line Oiler)	MASS (kg)
	OUTPUT (kW)	SPEED (rpm)	TORQUE (N·m)	AIR CONSUMPTION (m ³ /min (nor))	RADIAL (kN)	THRUST (kN)		
0.6	0.90	3000	2.85	1.3	0.49	0.10	△ JIS K2213-1 Turbine Oil ISO VG32 (Line Oiler Dripping Quantity: 3~4 drop/min)	4.7
0.5	0.76	2800	2.60	1.1				
0.4	0.60	2600	2.20	0.9				

*: At Mid of Shaft

APPROVED	CHECKED	REVIEWED	DRAWN	PARTICULARS	OUTLINE DRAWING	DATE	Nov. 04. 2005
M. S	K. S		R. T	MODEL	VF05-UFD1	NOTE	
					AIR MOTOR	Z05-032 △	
SAN-EI SEIKI SEISAKUSYO CO., LTD.				DWG. NO.	E305-202 △	SCALE	2/3