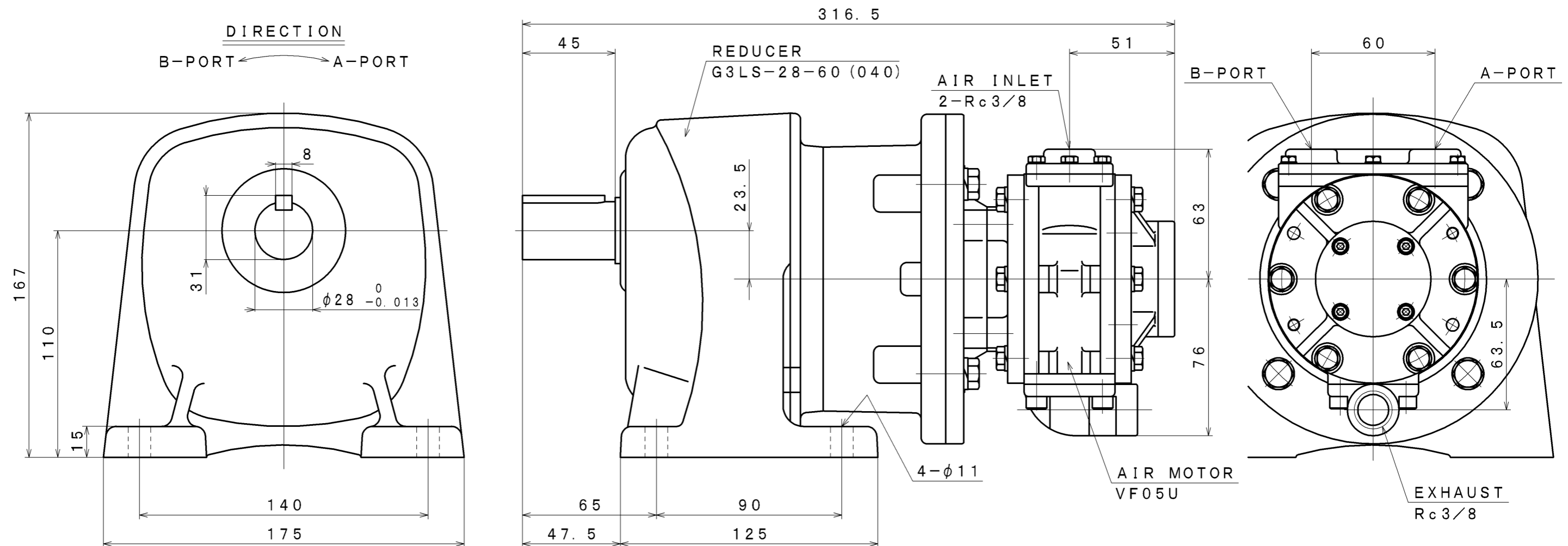


SIGN	REVISION	DATE	B Y
△1	Renewal	111031	R. T
△2	Renewal, Correction	160405	W. S



SPECIFICATION

AIR PRESSURE (MPa)	AT MAXIMUM OUTPUT				※ ALLOWABLE SHAFT LOAD		LUBRICATING OIL AIR MOTOR (Line Oiler) △ JIS K2213-1 Turbine Oil ISO VG32 Line Oiler Dripping Quantity: 3~4 drop/min	MASS (kg)
	OUTPUT (kW)	SPEED (rpm)	TORQUE (N·m)	AIR CONSUMPTION (m ³ /min (nor))	RADIAL (N)	THRUST (N)		
0.6	△0.75	△51	141	1.3	3430	412	about 11.7	
0.5	0.65	48	129	1.1				
0.4	0.51	45	△109	0.9				

※: At Mid of Shaft

APPROVED	CHECKED	REVIEWED	DRAWN	PARTICULARS	OUTLINE DRAWING	DATE	AUG. 31. 2010
M. S		K. S	W. S	MODEL	VF05U-L28-60	NOTE	
					AIR MOTOR	Z06-030	
SAN-EI SEIKI SEISAKUSHO CO., LTD.					DWG. NO.	E310-302	SCALE 1/2