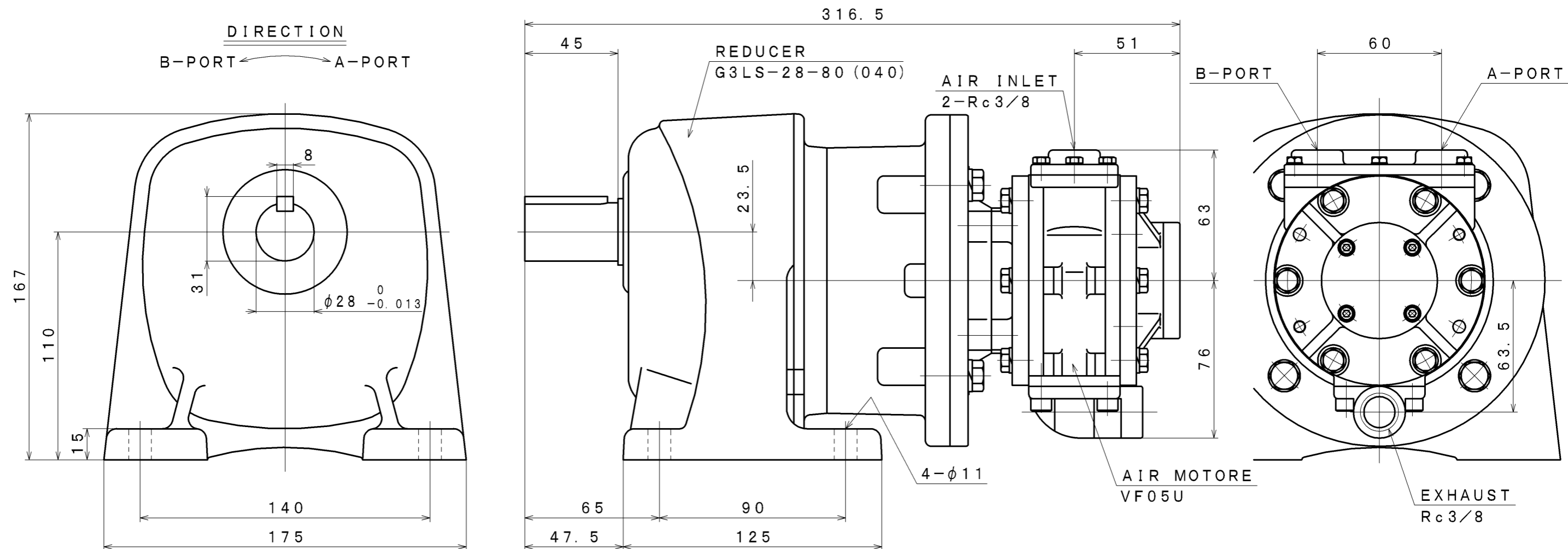


SIGN	REVISION	DATE	B Y
△1	Renewal	111031	R. T
△2	Renewal	130204	W. S
△3	Correction	160407	W. S



**SPECIFICATION**

AIR PRESSURE (MPa)	AT MAXIMUM OUTPUT				※ ALLOWABLE SHAFT LOAD		LUBRICATING OIL AIR MOTOR (Line Oiler)	MASS (kg)
	OUTPUT (kW)	SPEED (rpm)	TORQUE (N·m)	AIR CONSUMPTION (m <sup>3</sup> /min (nor))	RADIAL (N)	THRUST (N)		
0.6	△0.76	38	192	1.3	3430	422	△ JIS K2213-1 Turbine Oil ISO VG32 Line Oiler Dripping Quantity:3~4 drop/min	about 11.7
0.5	0.64	35	176	1.1				
0.4	0.51	33	149	0.9				

※:At Mid of Shaft

APPROVED	CHECKED	REVIEWED	DRAWN	PARTICULARS	OUTLINE DRAWING	DATE	AUG. 31. 2010
M. S		K. S	W. S	MODEL	VF05U-L28-80	NOTE	
					AIR MOTOR	Z06-030	
SAN-EI SEIKI SEISAKUSHO CO., LTD.					DWG. NO.	E310-303	SCALE 1/2