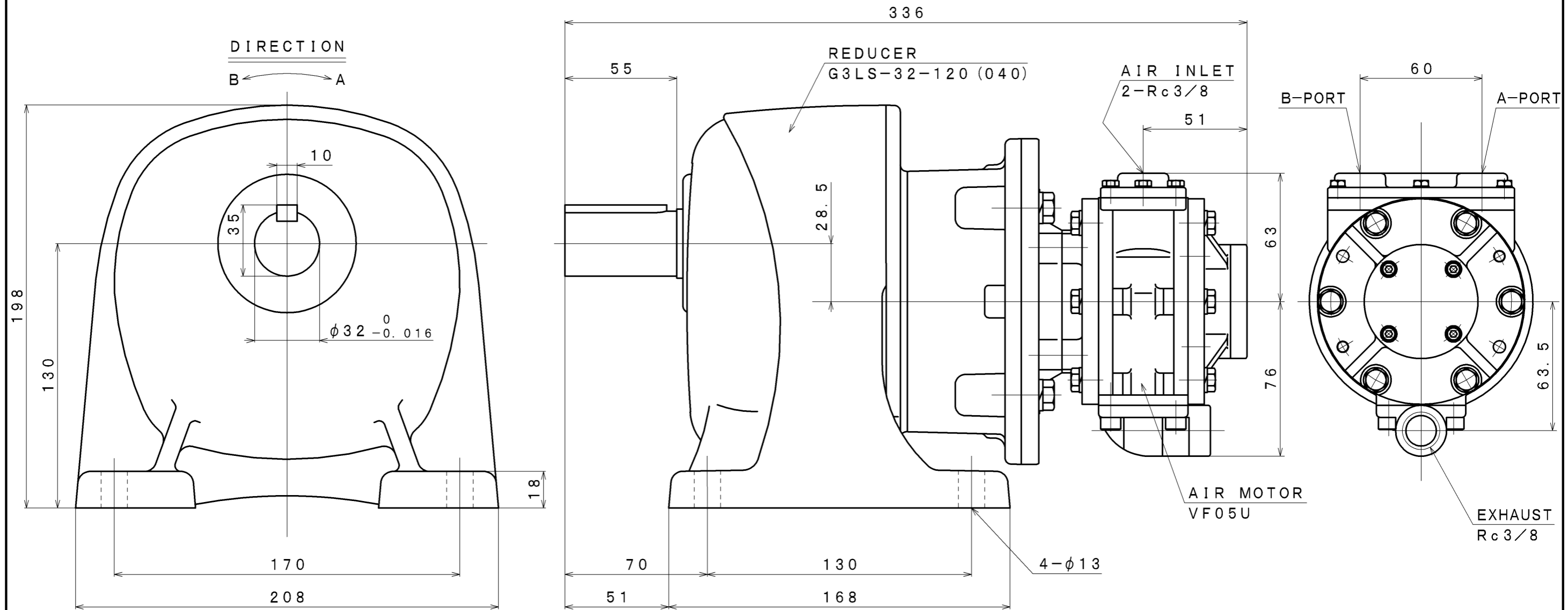


SIGN	REVISION	DATE	B Y
△1	Renewal	100831	W. S
△2	Renewal	111031	R. T
△3	Renewal	151128	W. S



SPECIFICATION

AIR PRESSURE	AT MAXIMUM OUTPUT				※ ALLOWABLE SHAFT LOAD		LUBRICATING OIL	MASS
	OUTPUT	SPEED	TORQUE	AIR CONSUMPTION	RADIAL	THRUST	AIR MOTOR (Line Oiler)	
(MPa)	(kW)	(rpm)	(N·m)	(m ³ /min (nor))	△1(N)	△1(N)	△2 JIS K2213-1 Turbine Oil ISO VG32 Line Oiler Dripping Quantity: 3~4 drop/min	(kg)
0.6	0.77	25	△1294	1.3	△1	△1		△1 about 14.7
0.5	0.65	23	269	1.1	5880	785		
0.4	0.50	21	227	0.9				

※: At Mid of Shaft

APPROVED	CHECKED	REVIEWED	DRAWN	PARTICULARS	OUTLINE	DATE	FEB. 03. 2009
M. S		K. S	W. S	MODEL	VF05U-L32-120	NOTE	
					AIR MOTOR	Z06-030△1	
SAN-EI SEIKI SEISAKUSHO CO., LTD.					DWG. NO.	E309-009	SCALE 1/2