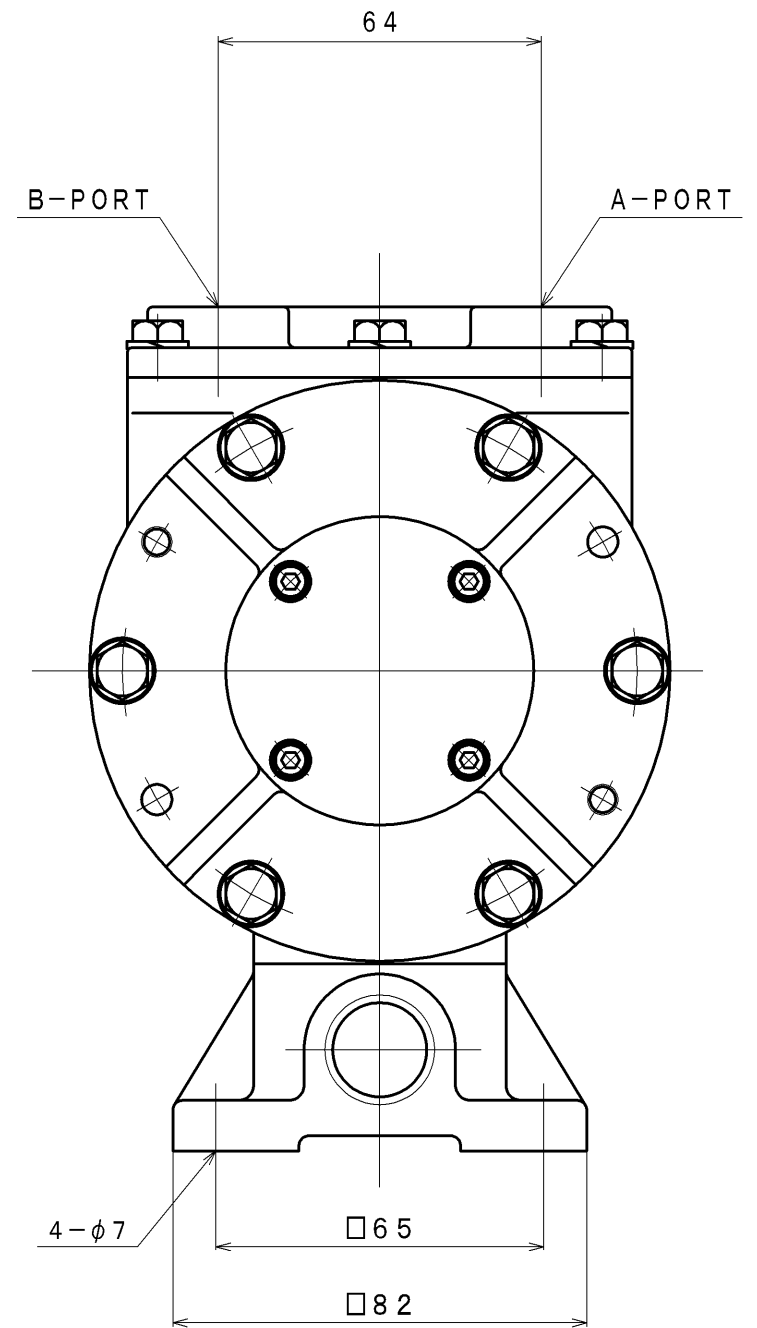
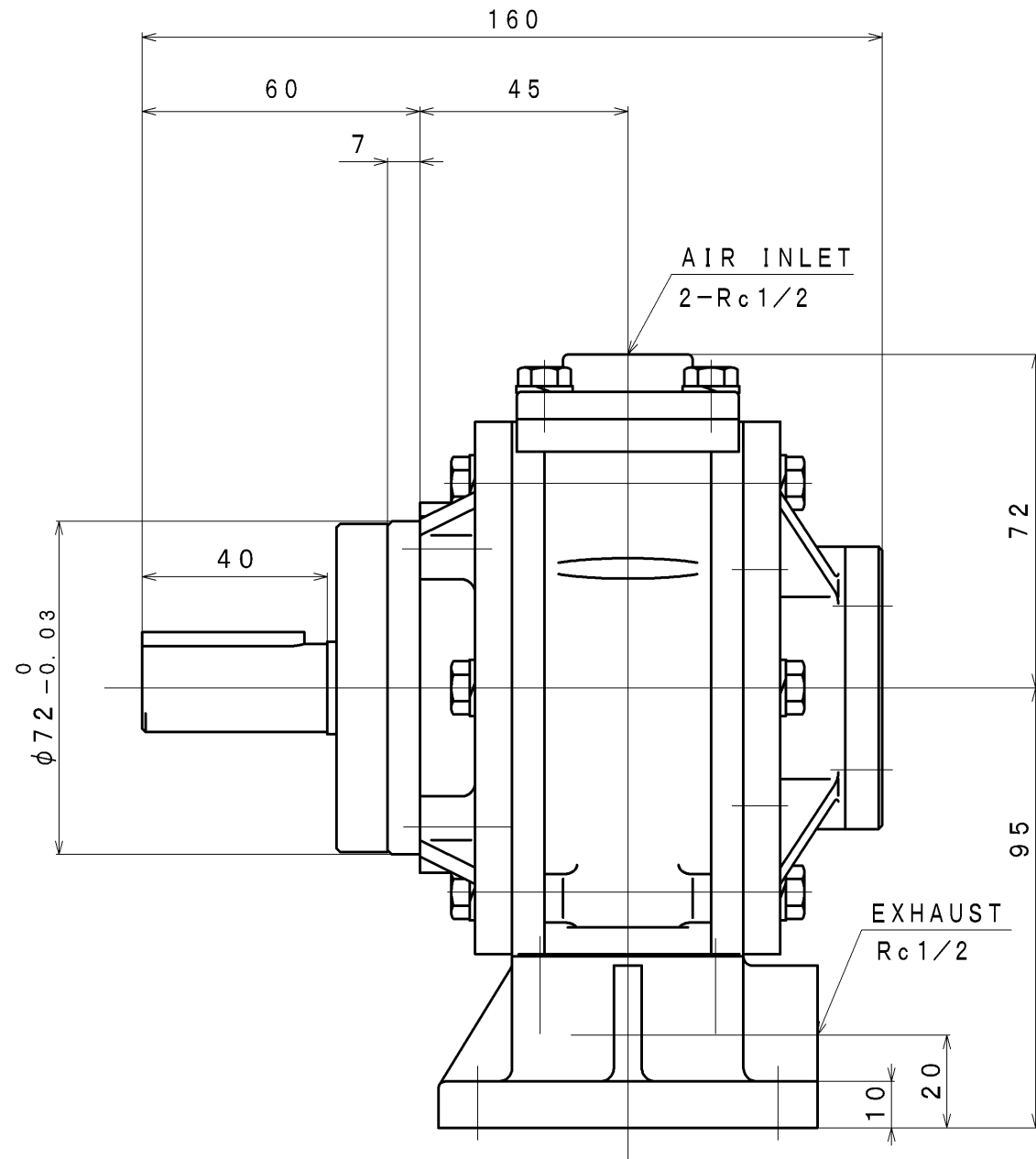
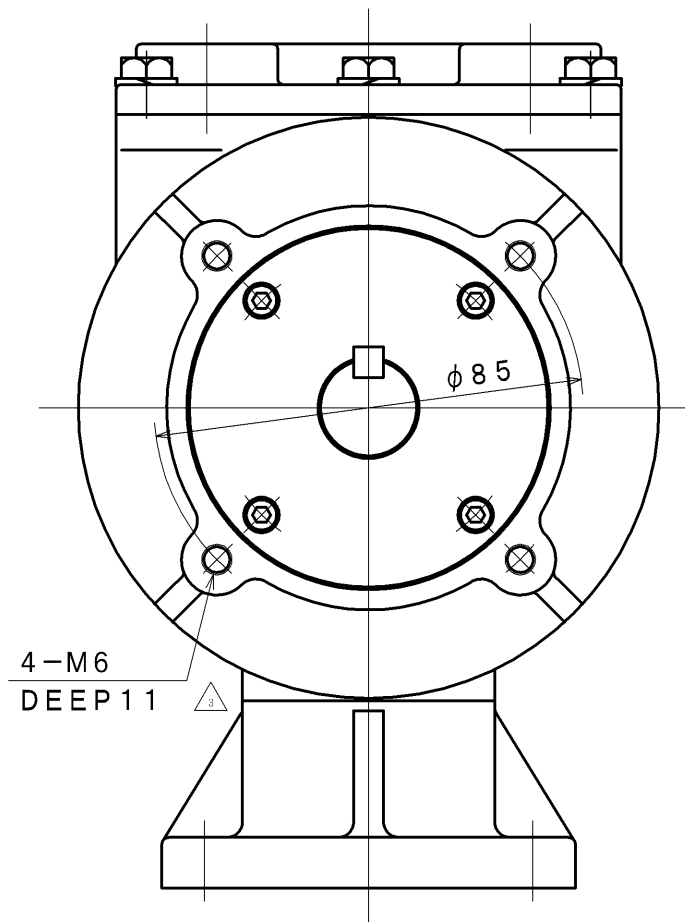
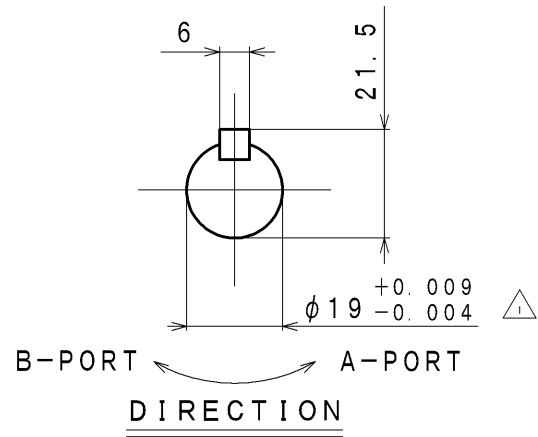


SIGN	REVISION	DATE	BY
△1	Renewal	111031	R. T
△2	Renewal	120413	R. T
△3	Renewal	160404	W. S



SPECIFICATION

AIR PRESSURE (MPa)	AT MAXIMUM OUTPUT				*ALLOWABLE SHAFT LOAD		LUBRICATING OIL	MASS (kg)
	OUTPUT (kW)	SPEED (rpm)	TORQUE (N·m)	AIR CONSUMPTION (m ³ /min (nor))	RADIAL (kN)	THRUST (kN)	AIR MOTOR (Line Oiler)	
0.6	1.08	2800	3.70	1.7	0.64	0.15	△ JIS K2213-1 Turbine Oil ISO VG32 (Line Oiler Dripping Quantity: 4~5 drop/min)	5.6
0.5	0.91	2600	3.35	1.5				
0.4	0.70	2400	2.80	1.2				

*:At Mid of Shaft

APPROVED	CHECKED	REVIEWED	DRAWN	PARTICULARS	OUTLINE DRAWING	DATE	Nov 07. 2005
M. S	K. S		R. T	MODEL	VF10-UBD1	NOTE	
					AIR MOTOR	Z05-036	△
SAN-EI SEIKI SEISAKUSYO CO., LTD.				DWG. NO.	E305-206	SCALE	2/3