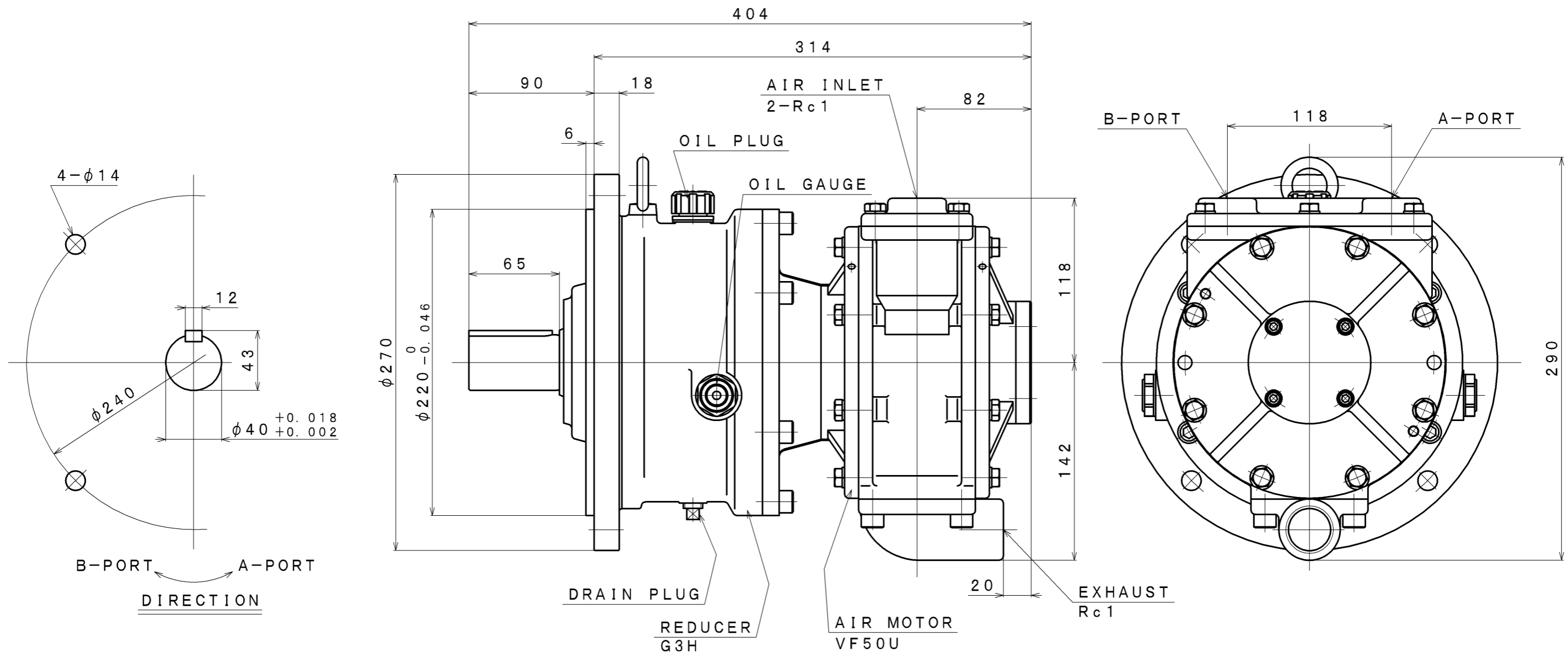


SIGN	REVISION	DATE	B Y
△1	Renewal	080604	K. S
△2	Renewal	100215	W. S
△3	Renewal	111122	R. T
△4	Renewal	160405	W. S



SPECIFICATION

AIR PRESSURE	AT MAXIMUM OUTPUT				* ALLOWABLE SHAFT LOAD		LUBRICATING OIL		MASS
	OUTPUT	SPEED	TORQUE	AIR CONSUMPTION \triangle	RADIAL	THRUST	AIR MOTOR	REDUCER	
(MPa)	(kW)	(rpm)	(N·m)	(m ³ /min (nor))	(kN)	(kN)	\triangle JIS K2213-1 Turbine Oil ISO VG32 Line Oiler Dripping Quantity: 15~20drop/min	JIS K2219 Gear Oil ISO VG220 (150cc)	(kg)
0.6	4.93	258	182.6	6.2	\triangle 2.8	0.5			about 53
0.5	4.03	232	165.7	5.4					
0.4	3.04	206	140.6	4.5					

*:At Mid of Shaft

APPROVED	CHECKED	REVIEWED	DRAWN	PARTICULARS	OUTLINE DRAWING	DATE	APR. 02. 2008
M. M		W. S		MODEL	VF50U-G3H8F	NOTE	
					AIR MOTOR	Z06-050	
SAN-EI SEIKI SEISAKUSHO CO., LTD.					DWG. NO.	E308-064 \triangle 4	SCALE 1/3