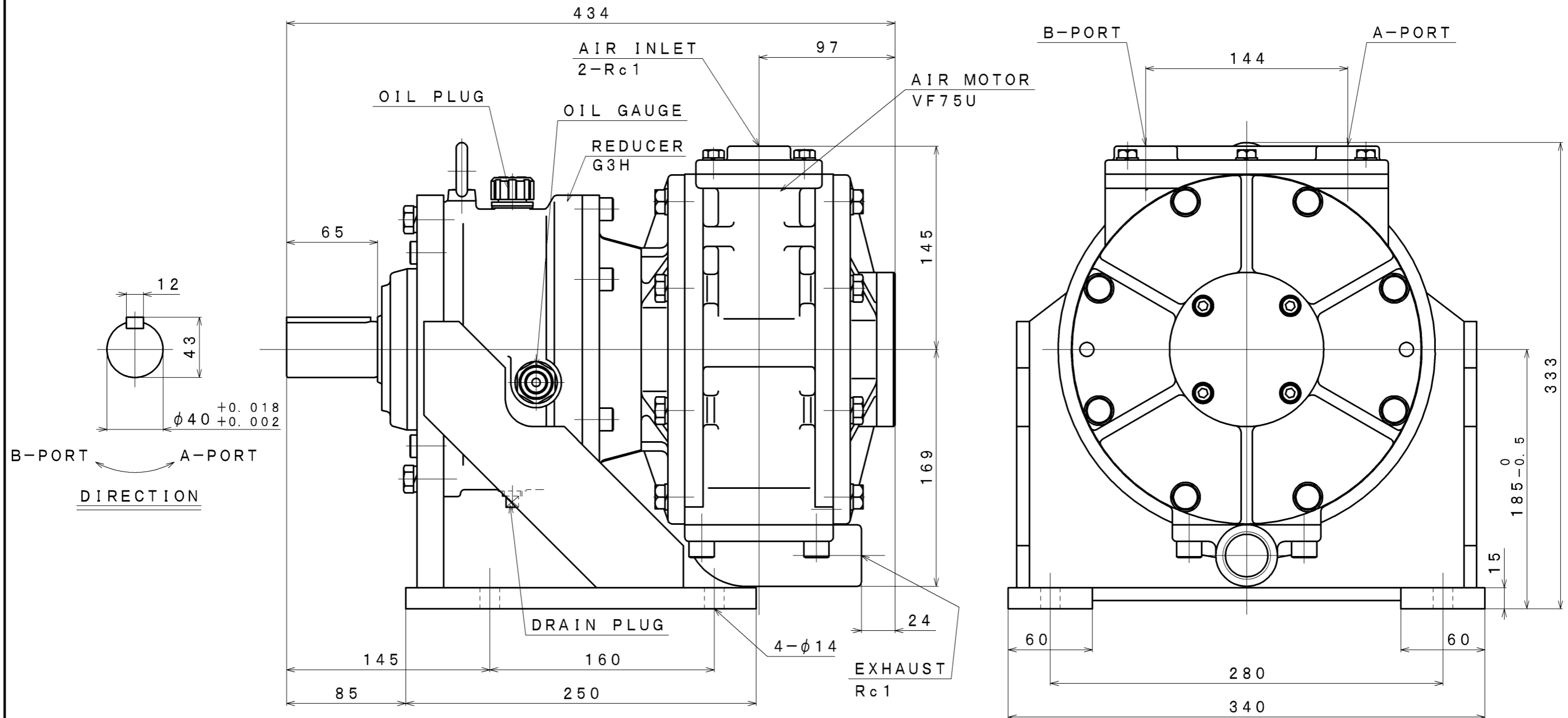


SIGN	REVISION	DATE	B Y
△1	Renewal	111031	R. T
△2	Renewal	160405	W. S



SPECIFICATION

AIR PRESSURE (MPa)	AT MAXIMUM OUTPUT				※ ALLOWABLE SHAFT LOAD		LUBRICATING OIL		MASS (kg)
	OUTPUT (kW)	SPEED (rpm)	TORQUE (N·m)	AIR CONSUMPTION (m ³ /min (nor))	RADIAL (kN)	THRUST (kN)	AIR MOTOR	REDUCER	
0.6	7.89	465	162.0	10.0	2.2	0.8	△ JIS K2213-1 Turbine Oil ISO VG32	JIS K2219 Gear Oil ISO VG220 (150cc)	about 82
0.5	6.27	407	147.2	9.0			Line Oiler Dripping Quantity: 25~30drop/min		
0.4	4.56	348	125.0	7.4					

※: At Mid of Shaft

APPROVED	CHECKED	REVIEWED	DRAWN	PARTICULARS	OUTLINE DRAWING	DATE	FEB. 16. 2010
M. M		W. S		MODEL	VF75U-G3H4B	NOTE	
					AIR MOTOR	Z06-054	
SAN-EI SEIKI SEISAKUSHO CO., LTD.				DWG. NO.	E310-123	SCALE	1/3