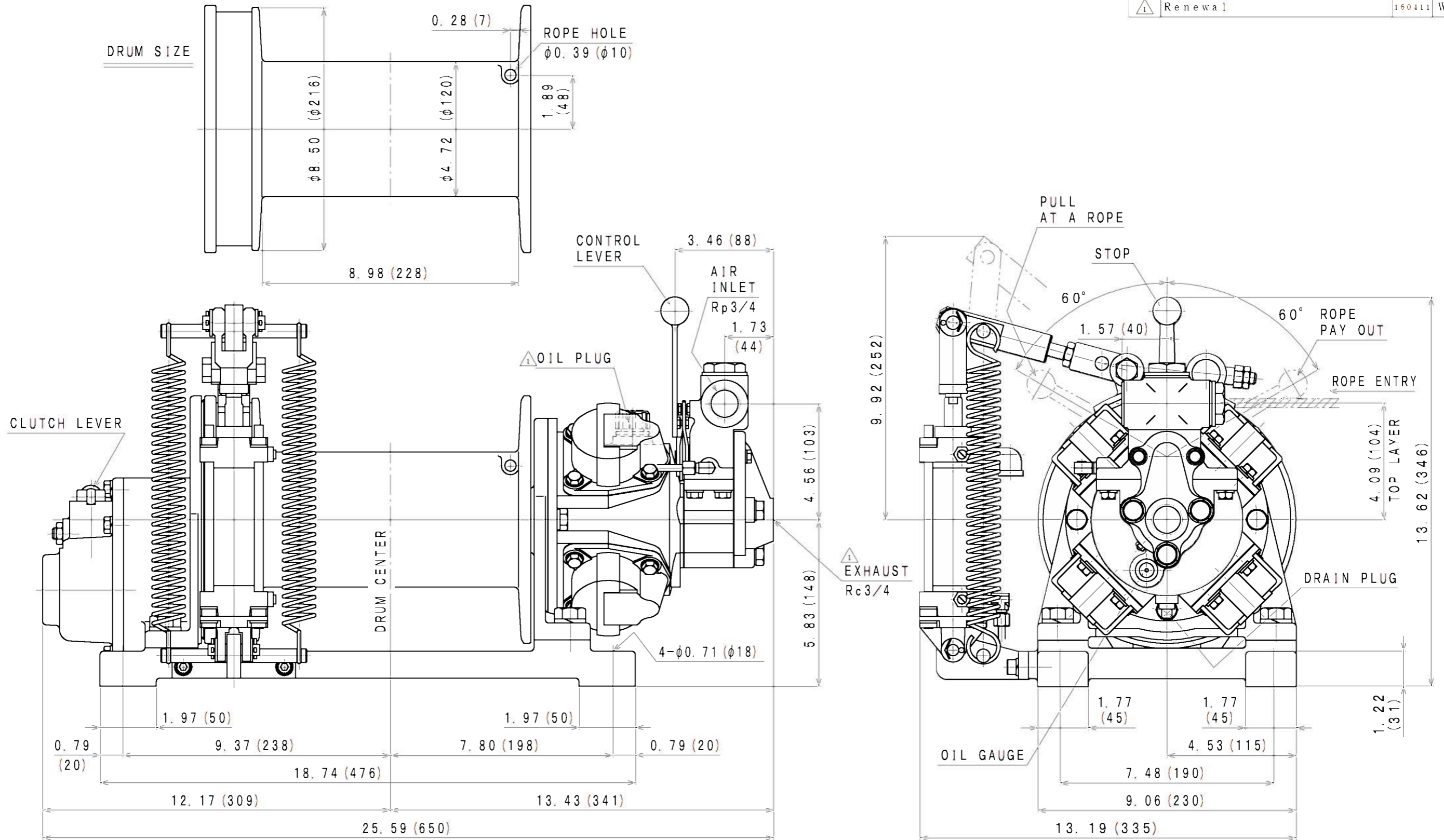


SIGN	R E V I S I O N	DATE	B Y
1	Renewal	160411	W. S



**SPECIFICATIONS (at HALF DRUM)**

**NOTE**  
DIMENSIONS ARE INCHES, BRACKETS ( ) METRIC mm

AIR PRESSURE psi (MPa)	MOTOR POWER hp (kW)	ROPE PULL lb (kN)	ROPE SPEED fpm (m/min)	AIR CONSUMPTION cfm (m <sup>3</sup> /min (nor))	ROPE CAPACITY $\phi$ in x ft (m)	WEIGHT lb (kg)
90 (0.62)	2.3 (1.73)	1100 (5)	62 (19)	71 (2.0)	5/16 x 290 (90)	About 141 (64)

APPROVED	CHECKED	REVIEWED	DRAWN	PARTICULARS	OUTLINE DRAWING	DATE	NOV. 24, 1999
S. N			M. M	MODEL	W-05-3-LAC-AB	NOTE	
					AIR WINCH	Z99-041	
SAN-EI SEIKI SEISAKUSHO CO., LTD.				DWG. NO.	E399-130	SCALE	2/7