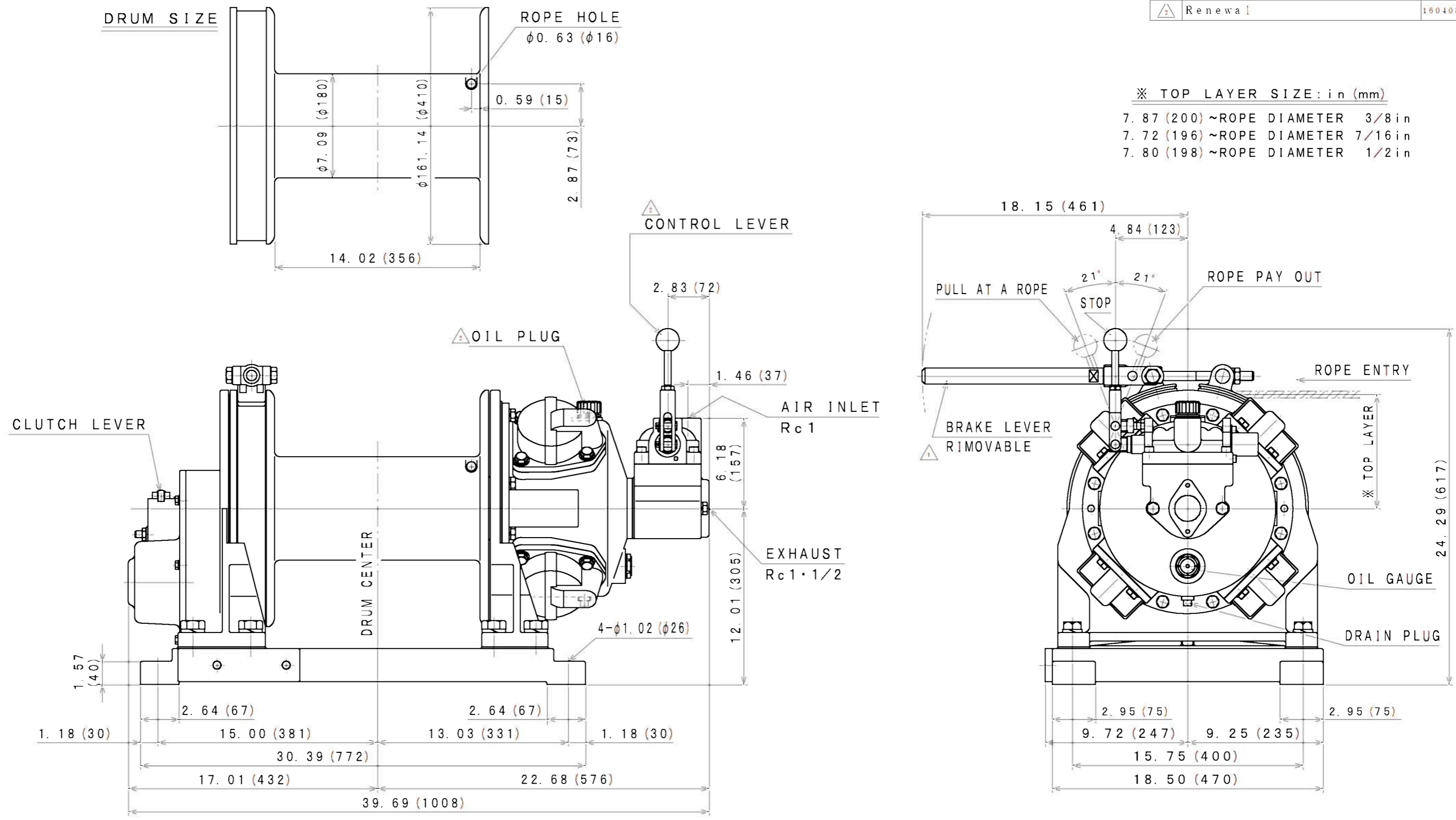


SIGN	REVISION	DATE	BY
1	Correction BRAKE LEVER	070521	M. S
2	Renewal	160408	W. S

※ TOP LAYER SIZE: in (mm)  
 7.87 (200) ~ ROPE DIAMETER 3/8 in  
 7.72 (196) ~ ROPE DIAMETER 7/16 in  
 7.80 (198) ~ ROPE DIAMETER 1/2 in



**SPECIFICATIONS (at HALF DRUM)**

AIR PRESSURE psi (MPa)	MOTOR POWER hp (kW)	ROPE PULL lb (kN)	ROPE SPEED fpm (m/min)	AIR CONSUMPTION cfm (m <sup>3</sup> /min (nor))	ROPE CAPACITY φ in x ft (m)	WEIGHT lb (kg)
90 (0.62)	9.6 (7.15)	2200 (10)	121 (37)	191 (5.4)	3/8x1340 (410) 7/16x950 (290) 1/2x750 (230)	ABOUT 607 (276)

**NOTE**  
 DIMENSIONS ARE INCHES, BRACKETS ( ) METRIC mm.

APPROVED	CHECKED	REVIEWED	DRAWN	PARTICULARS	OUTLINE DRAWING	DATE	MAR. 10, 1998
S. N			M. M	MODEL	W-10-220-LAC-MB	NOTE	
					AIR WINCH	Z98-012	
SAN-EI SEIKI SEISAKUSHO CO., LTD.					DWG. NO.	E398-048	SCALE 1/7