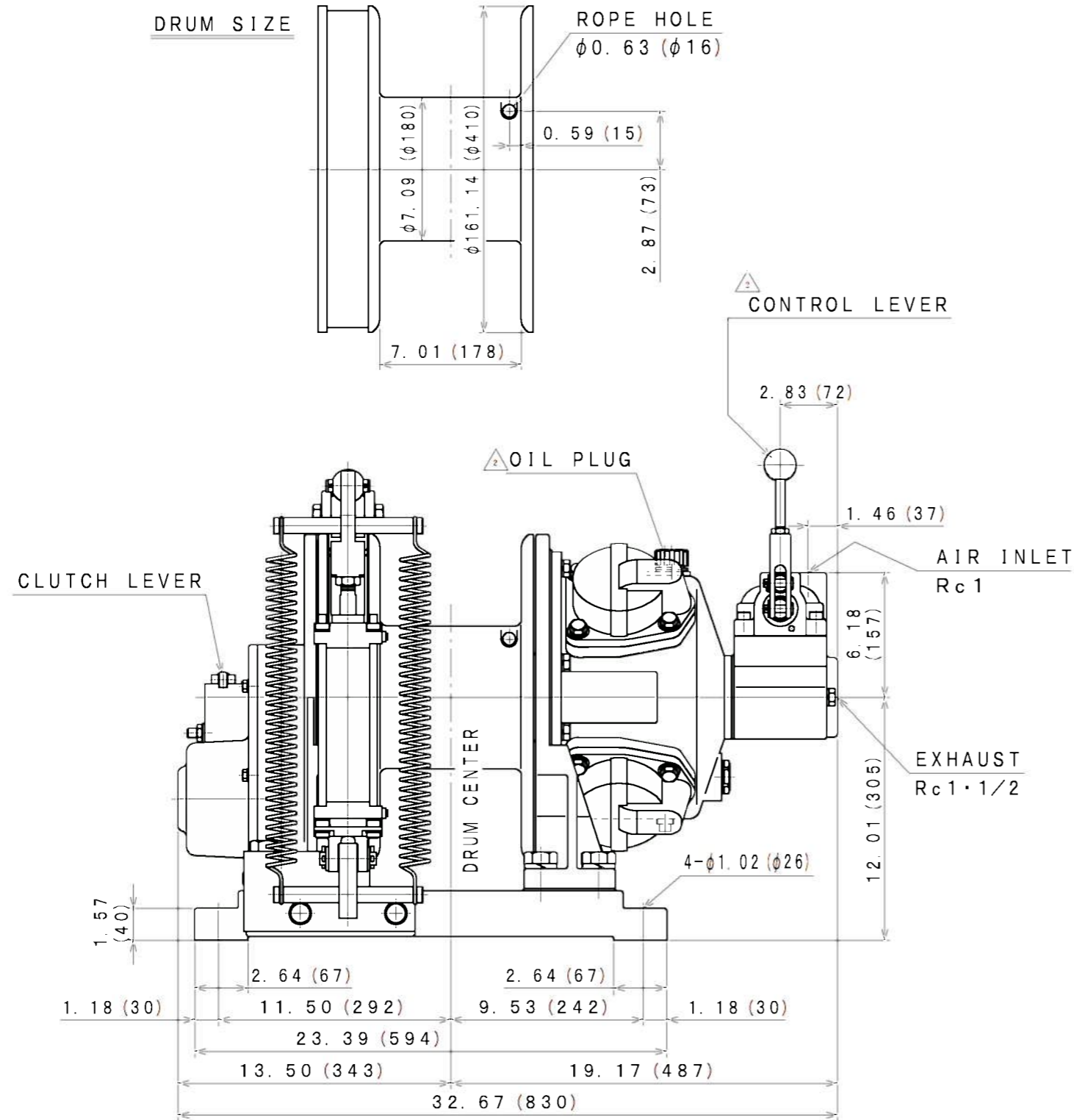
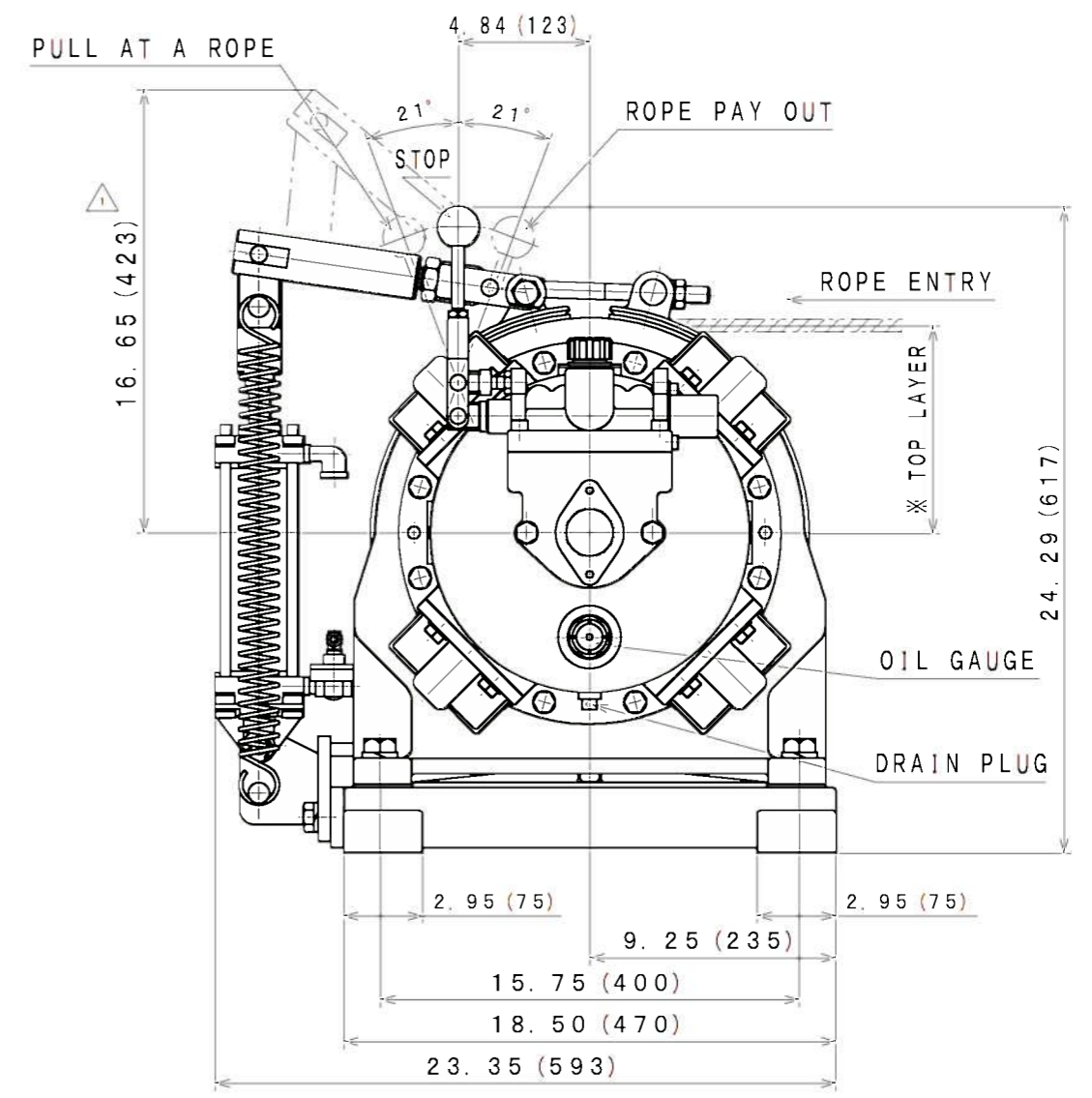


SIGN	REVISION	DATE	BY
1	Correction, Q-395	981229	M. M
2	Renewal	160408	W. S



※ TOP LAYER SIZE: in (mm)
 7.87 (200) ~ ROPE DIAMETER 3/8 in
 7.72 (196) ~ ROPE DIAMETER 7/16 in
 7.80 (198) ~ ROPE DIAMETER 1/2 in



SPECIFICATIONS (at HALF DRUM)

AIR PRESSURE psi (MPa)	MOTOR POWER hp (kW)	ROPE PULL lb (kN)	ROPE SPEED fpm (m/min)	AIR CONSUMPTION cfm (m ³ /min (nor))	ROPE CAPACITY φ in x ft (m)	WEIGHT lb (kg)
90 (0.62)	9.6 (7.15)	2200 (10)	121 (37)	191 (5.4)	3/8x670 (205) 7/16x475 (145) 1/2x375 (115)	ABOUT 587 (267)

NOTE
 DIMENSIONS ARE INCHES, BRACKETS () METRIC mm.

APPROVED	CHECKED	REVIEWED	DRAWN	PARTICULARS	OUTLINE DRAWING	DATE	BY
			M. M	MODEL	W-10-220-SAC-AB	MAR. 10, 1998	
					AIR WINCH	NOTE	
SAN-EI SEIKI SEISAKUSHO CO., LTD.					DWG. NO.	E398-047	SCALE 1/7