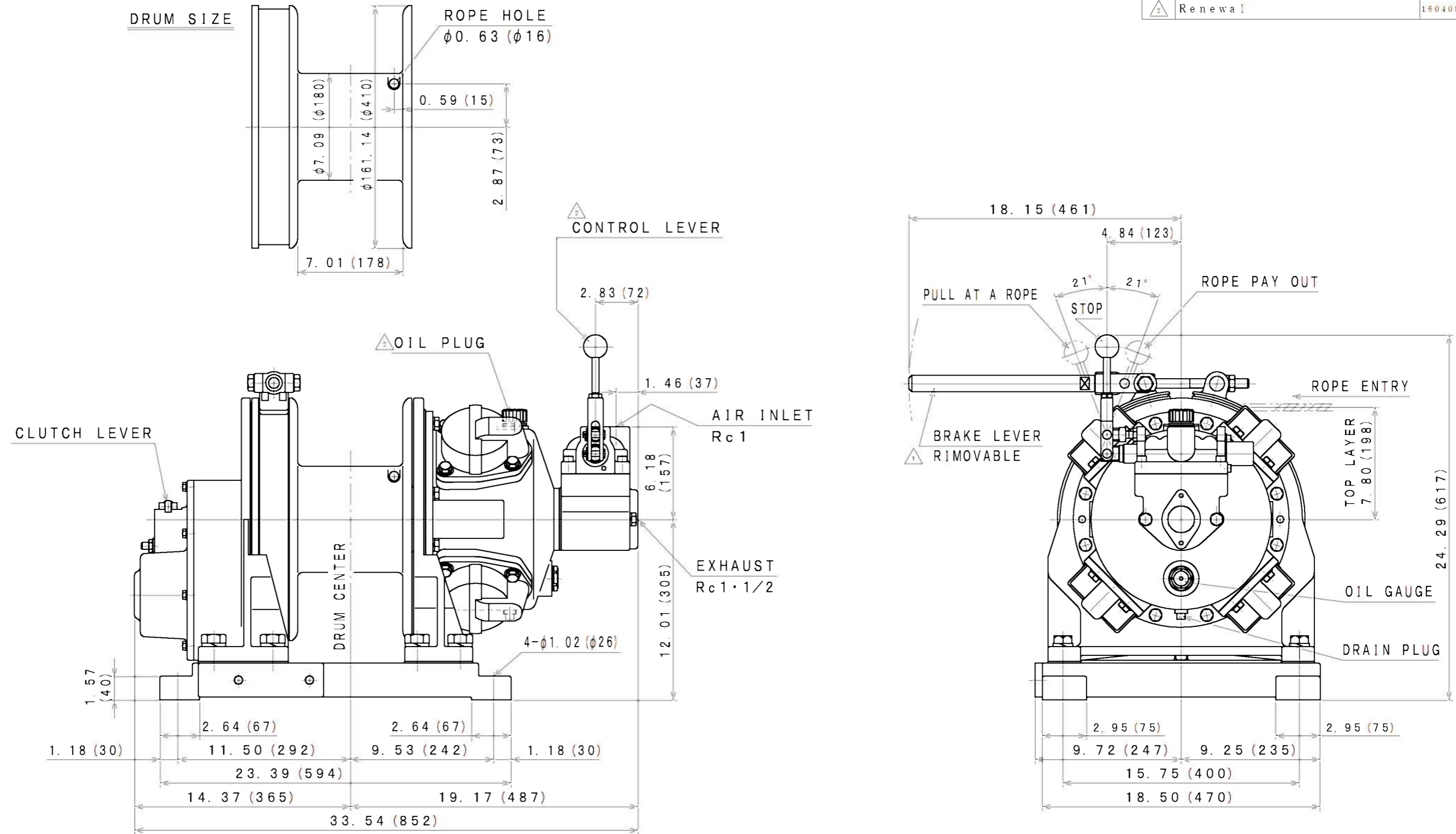


SIGN	REVISION	DATE	B Y
1	Correction BRAKE LEVER	070521	M. S
2	Renewal	160408	W. S



**SPECIFICATIONS (at HALF DRUM)**

AIR PRESSURE psi (MPa)	MOTOR POWER hp (kW)	ROPE PULL lb (kN)	ROPE SPEED fpm (m/min)	AIR CONSUMPTION cfm (m <sup>3</sup> /min (nor))	ROPE CAPACITY $\phi$ in x ft (m)	WEIGHT lb (kg)
90 (0.62)	9.6 (7.15)	4400 (20)	62 (19)	191 (5.4)	1/2 x 375 (115)	ABOUT 585 (266)

**NOTE**

DIMENSIONS ARE INCHES, BRACKETS ( ) METRIC mm.

APPROVED	CHECKED	REVIEWED	DRAWN	PARTICULARS	OUTLINE DRAWING	DATE	FEB. 12, 1998
H. K	S. N		M. M	MODEL	W-20-220-SAC-MB	NOTE	
					AIR WINCH	Z97-102	
SAN-EI SEIKI SEISAKUSHO CO., LTD.				DWG. NO.	E398-001	SCALE	1/7