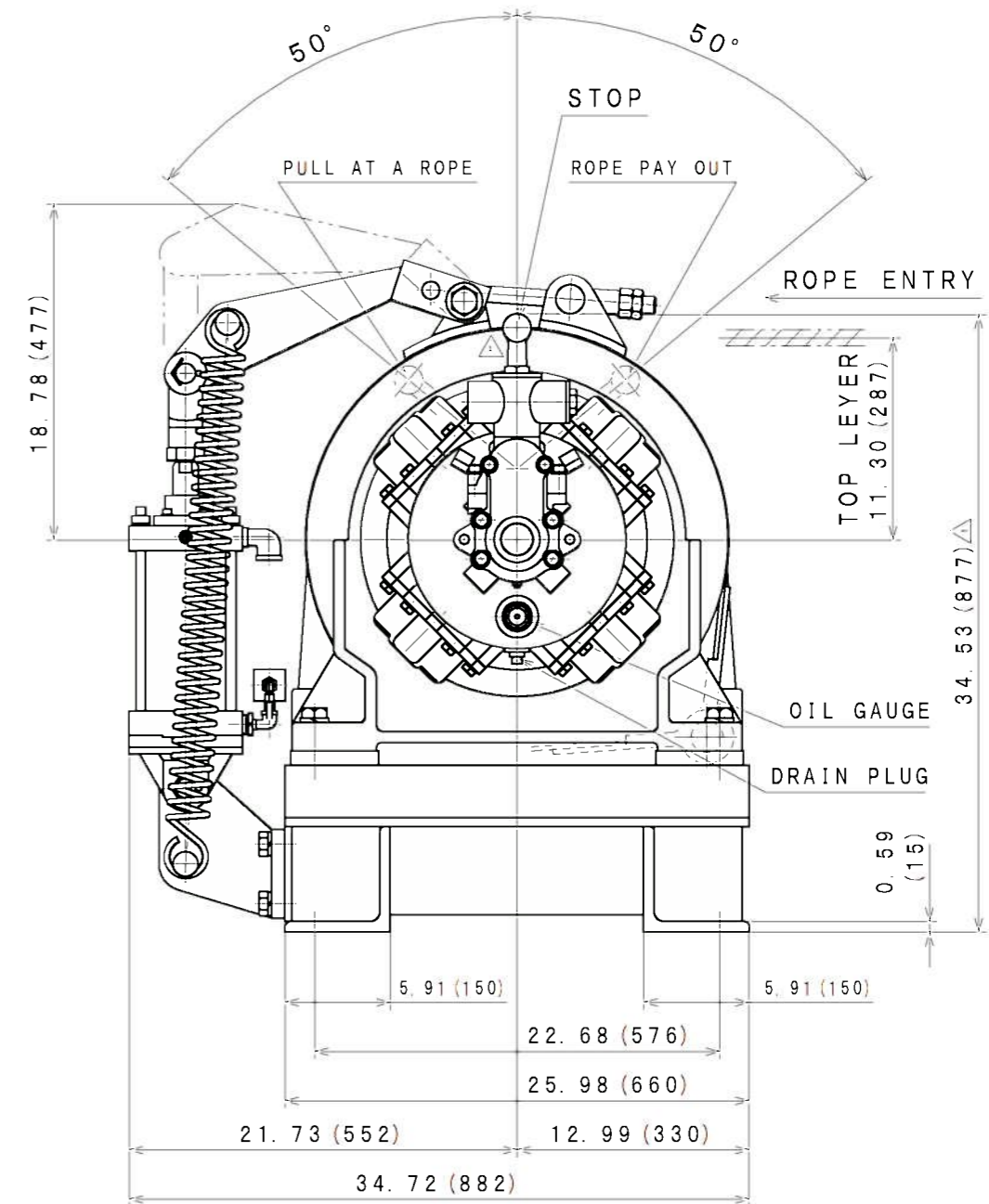
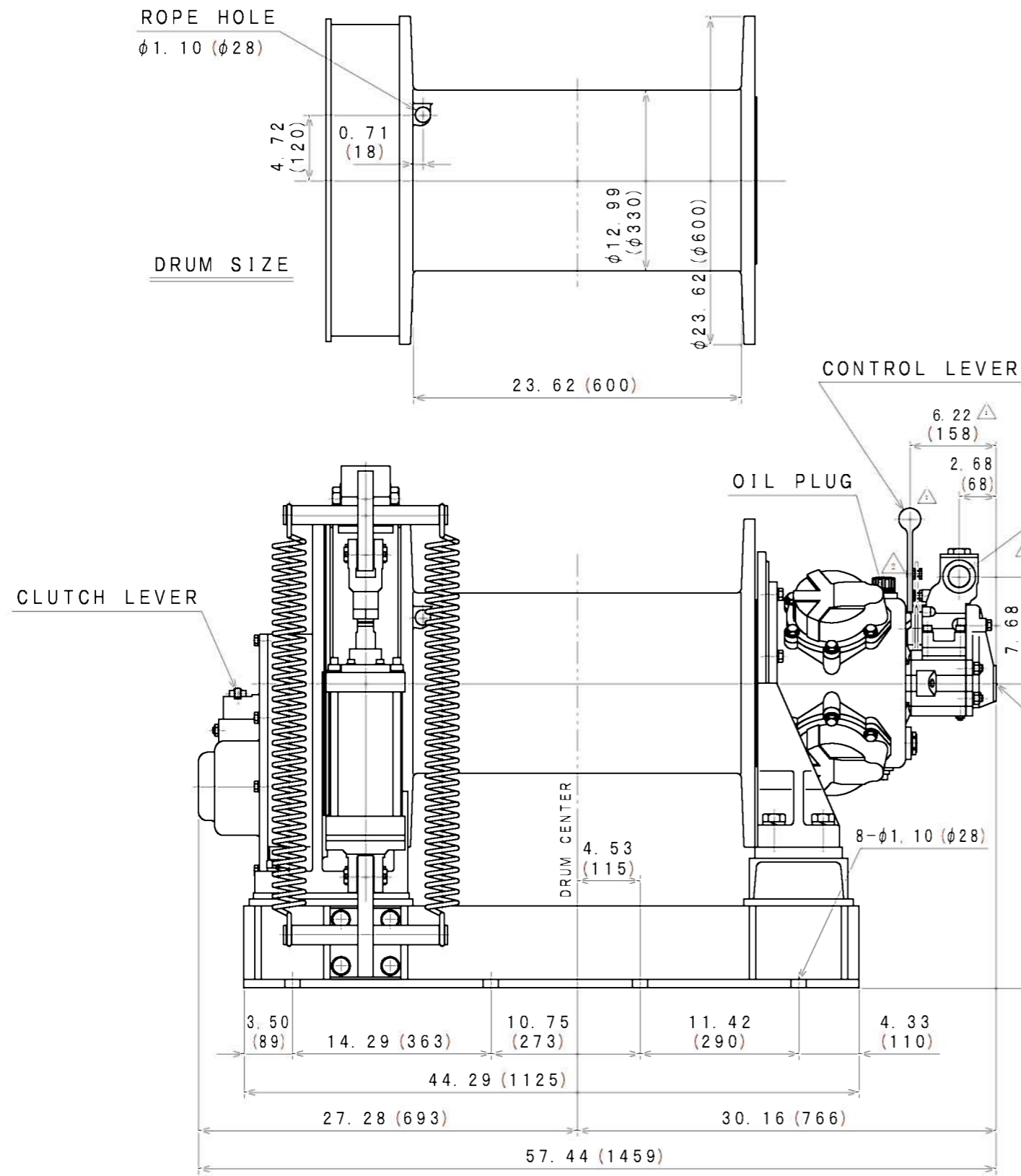


SIGN	REVISION	DATE	B Y
△1	CORRECTION	980209	M. M
△2	RENEWAL	150218	R. T



SPECIFICATION (at HALF DRUM)

AIR PRESSURE psi (MPa)	MOTOR POWER hp (kW)	ROPE PULL lb (kN)	ROPE SPEED fpm (m/min)	AIR CONSUMPTION cfm (m ³ /min (nor)) [△]	ROPE CAPACITY φin×ft (m)	WEIGHT lb (kg)
90 (0.62)	16 (12)	11000 (50)	36 (11)	318 (9.0)	7/8×750 (230)	ABOUT 1921 (873)

NOTE

DIMENSIONS ARE INCHES, BRACKETS () METRIC mm

APPROVED	CHECKED	REVIEWED	DRAWN	PARTICULARS	OUTLINE DRAWING	DATE	JAN. 07. 1998
M. S	K. S		R. T	MODEL	W-50-36-LAC-AB	NOTE	
					AIR WINCH	Z97-111	
SAN-EI SEIKI SEISAKUSHO CO., LTD.				DWG. NO.	E398-010 △2	SCALE	1/10