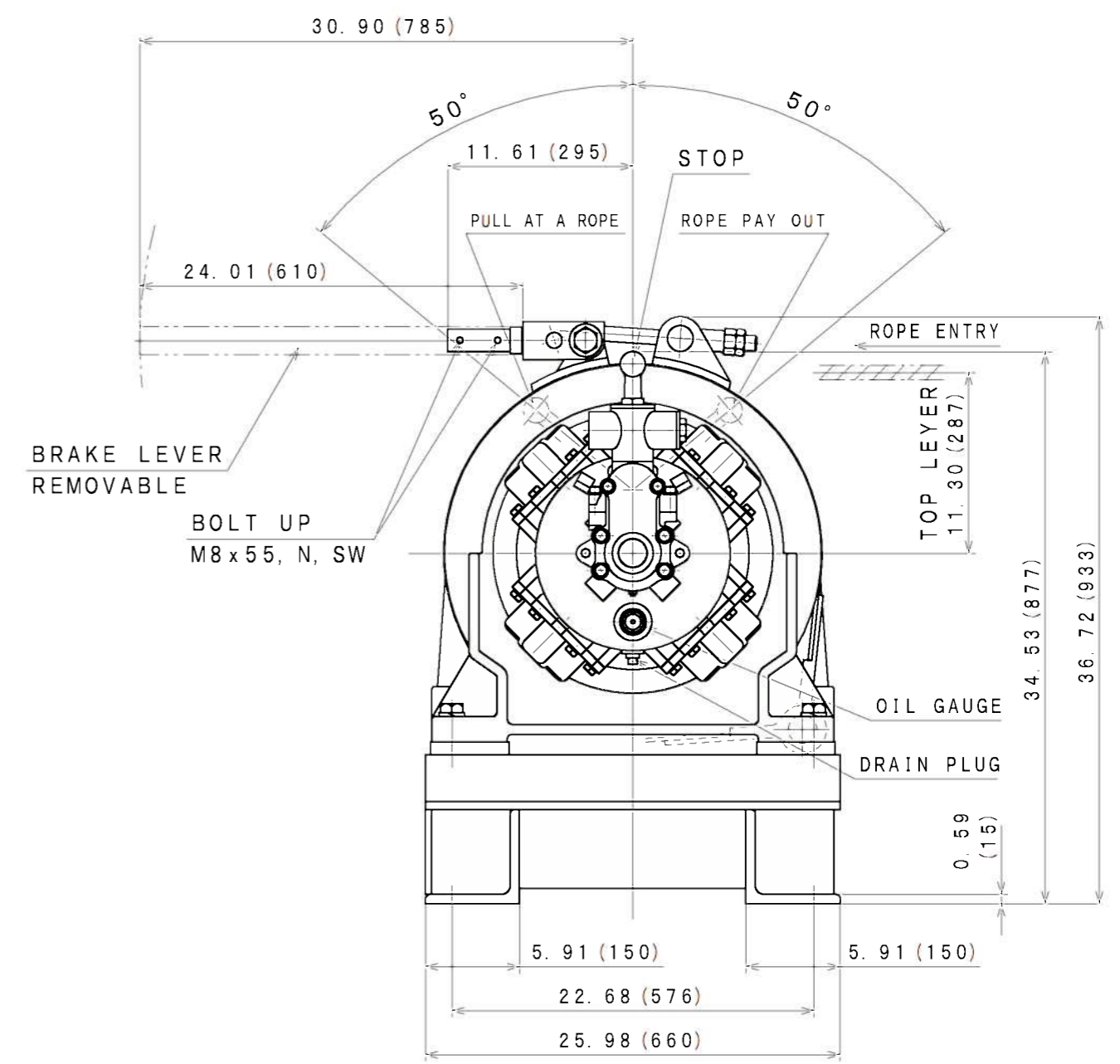
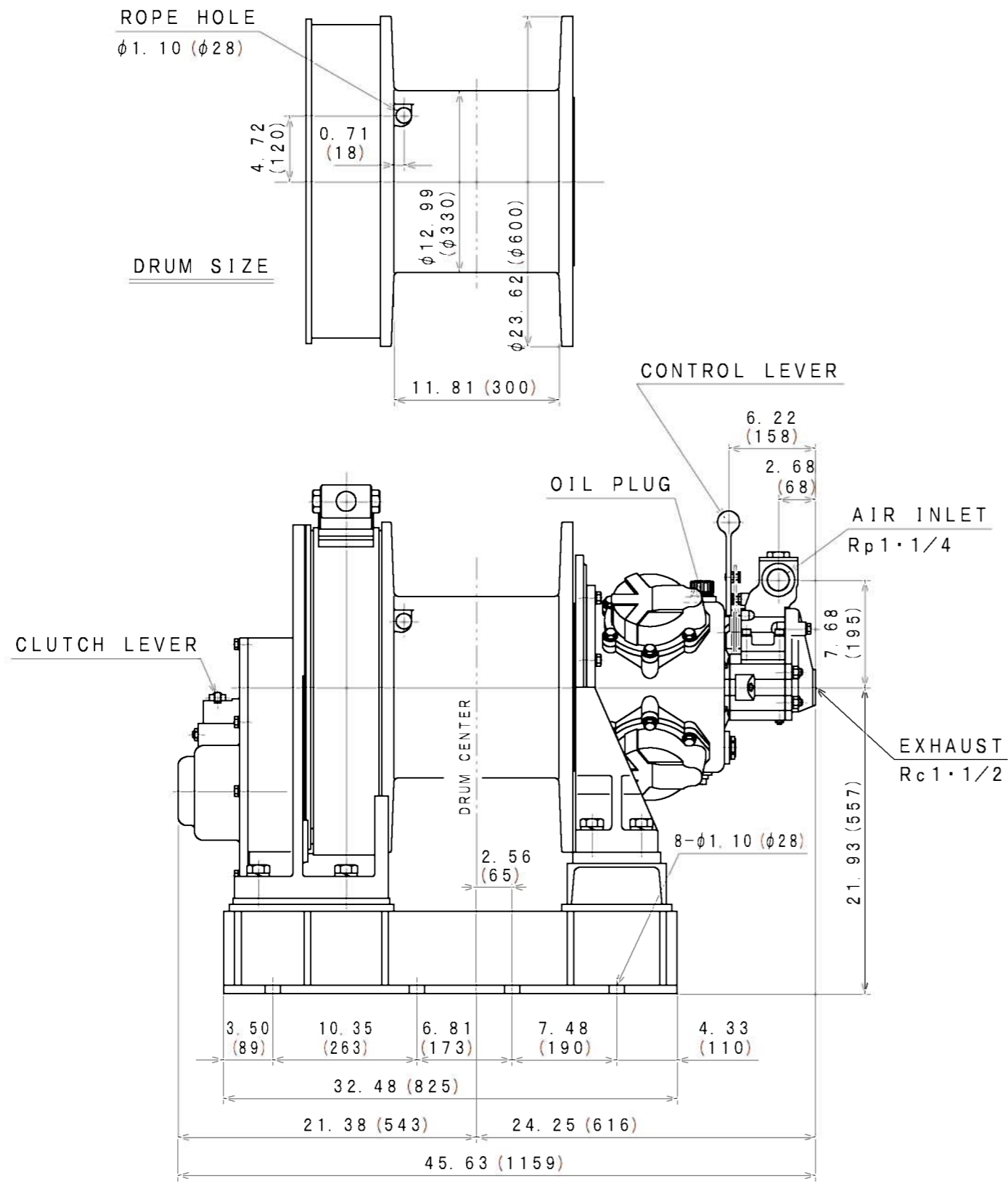


SIGN	R E V I S I O N	DATE	B Y
△	Renewal	160408	W. S



SPECIFICATION (at HALF DRUM)

AIR PRESSURE psi (MPa)	MOTOR POWER hp (kW)	ROPE PULL lb (kN)	ROPE SPEED fpm (m/min)	AIR CONSUMPTION cfm (m ³ /min (nor))	ROPE CAPACITY φ in x ft (m)	WEIGHT lb (kg)
90 (0.62)	16 (12)	11000 (50)	36 (11)	318 (9.0)	7/8 x 375 (115)	ABOUT 1669 (757)

NOTE
DIMENSIONS ARE INCHES, BRACKETS () METRIC mm

APPROVED	CHECKED	REVIEWED	DRAWN	PARTICULARS	OUTLINE DRAWING	DATE	MAR. 08. 2010
M. S			R. T	MODEL	W-50-36-SAC-MB	NOTE	
SAN-EI SEIKI SEISAKUSHO CO., LTD.				DWG. NO.	E310-135	SCALE	1/10